

Installation Instructions For Aleddra's Emergency G3PLUS (3CCT) LED T8 Lamps

WARNING - RISK OF FIRE OR ELECTRIC SHOCK. LUMINAIRES WIRING, BALLASTS, OR OTHER ELECTRICAL PARTS MAY BE DAMAGED WHEN DRILLING OR INSTALLATION OF REFLECTOR. CHECK FOR ENCLOSED WIRING AND COMPONENTS.

WARNING - RISK OF FIRE OR ELECTRIC SHOCK. RETROFIT KIT INSTALLATION REQUIRES KNOWLEDGE OF FLUORESCENT LIGHTING LUMINAIRE ELECTRICAL SYSTEMS. IF NOT QUALIFIED, DO NOT ATTEMPT INSTALLATION. CONTACT A QUALIFIED ELECTRICIAN.

WARNING - RISK OF FIRE OR ELECTRIC SHOCK. INSTALL THIS KIT ONLY IN THE LUMINAIRES THAT HAVE THE CONSTRUCTION FEATURES AND DIMENSIONS SHOWN IN THE DRAWINGS.

WARNING - TO PREVENT WIRING DAMAGE OR ABRASION, DO NOT EXPOSE WIRING TO EDGES OF SHEET METAL OR OTHER SHARP OBJECTS.

WARNING – THE LAMP CONTAINS A BUILT-IN LI-ION BATTERY AND MUST BE RECYCLED OR DISPOSE OF PROPERLY IN ACCORDANCE WITH LOCAL REQUIREMENTS.

IMPORTANT

DO NOT MAKE OR ALTER ANY OPEN HOLES IN AN ENCLOSURE OF WIRING OR ELECTRICAL COMPONENTS DURING KIT INSTALLATION.

INSTALLATION OF THIS RETROFIT ASSEMBLY REQUIRES A PERSON FAMILIAR WITH THE CONSTRUCTION AND OPERATION OF FLUORESCENT LUMINAIRE ELECTRICAL SYSTEMS AND THE HAZARD INVOLVED.

DO NOT USE THIS EQUIPMENT FOR OTHER THAN ITS INTENDED USE. THE USE OF ACCESSORY EQUIPMENT NOT RECOMMENDED BY ALEDDRA MAY CAUSE AN UNSAFE CONDITION.

INSTALLERS SHOULD NOT DISCONNECT EXISTING WIRES FROM LAMPHOLDER TERMINALS TO MAKE NEW CONNECTIONS AT LAMPHOLDER TERMINALS. INSTEAD INSTALLERS SHOULD CUT EXISTING LAMPHOLDER LEADS AWAY FROM THE LAMPHOLDER AND MAKE NEW ELECTRICAL CONNECTIONS TO LAMPHOLDER LEAD WIRES BY EMPLOYING APPLICABLE CONNECTORS.

THE LAMP IS INTENDED FOR USE IN DRY LOCATIONS ONLY. DO NOT USE OUTDOORS.

THIS PRODUCT MUST OPERATE AT A DEDICATED VOLTAGE OF 110 ~ 277VAC. ALWAYS TEST CIRCUITS BEFORE INSTALLATION WITH A VOLTAGE TESTER. AFTER REWIRING, THE LUMINAIRE WILL NO LONGER OPERATE A FLUORESCENT LAMP.

NOTICE TO THE INSTALLER: PLEASE ADHERE THE ATTACHED LABEL WHERE VISIBLE DURING RELAMPING EITHER ON THE BALLAST TRAY OR ON REFLECTOR.

BEFORE REPLACING THE EXISTING FLUORESCENT TUBE, ALWAYS DISCONNECT THE POWER TO THE FIXTURE. THIS PRODUCT IS INTENDED TO USE WITH UL APPROVED LINEAR FIXTURES ONLY.

LIST OF COMPONENTS:

- EMERGENCY G3PLUS LED T8 LAMP X 1
- INSTALLATION INSTRUCTIONS X 1
- THE LUMINAIRE WARNING LABEL X 1

INSTALLATION INSTRUCTIONS

1. Disconnect power to the fixture.
2. Remove existing fluorescent tubes.
3. Remove ballast cover.
4. Cut all the wires to ballast and remove the ballast.
5. Connect a line voltage (L and N, see Fig. 1) with the wires connected to lampholder terminals on the fixture using an UL approved 18-14 AWG (0.82-2.08 mm²) twist-on wire connector.
6. Reinstall the ballast cover.

7. **IMPORTANT:** Turn “on” a battery connection switch (see Fig. 2) on an Aleddra’s EM G3PLUS LED T8 lamp. The battery connection switch comes with a default “off” to prevent the built-in battery from being depleted and damaged.
8. Adhere the attached notice label to the reflector of the luminaire.
9. Insert the lamp in a set of lampholders on the fixture and rotate the lamp such that the plastic lens is downward.
10. Turn on power to the fixture. The lamp should be lighted at full power. The green LED should be on to indicate normal AC MAINS exist.
11. **Regulatory compliance tests:** After installed on a fixture for 60 hours, the lamp will perform a preprogrammed auto-test for 30 sec monthly and for 90 min annually. Written records documenting the testing must be maintained and available for review by local fire departments.

12. **Manual test and system reset:** Allow the lamp on the fixture for 24 hours. Press a test switch (TS) once within 3 seconds (see Fig. 2), the lamp will test for 30 sec. Press TS twice within 3 sec, the lamp will test for 90 min. If a built-in battery voltage is not sufficient, the green LED will flicker on for 1 sec and then off for 0.3 sec, continuing for 15 sec, to indicate that the manual test is prohibited. During the manual tests, press TS once to terminate. The original schedules of the preprogrammed auto-test will not be changed. If not responding, press and hold TS for 5 seconds to reset.
13. **Green LED indications:** During any of tests, the green LED will flicker on for 1 sec and then off for 3 sec. If tested normal, the green LED will continue on. If the lamp is tested abnormal, the green LED will flicker on for 0.5 sec and then off for 0.5 sec. Contact [Aleddra](#) to replace the lamp.

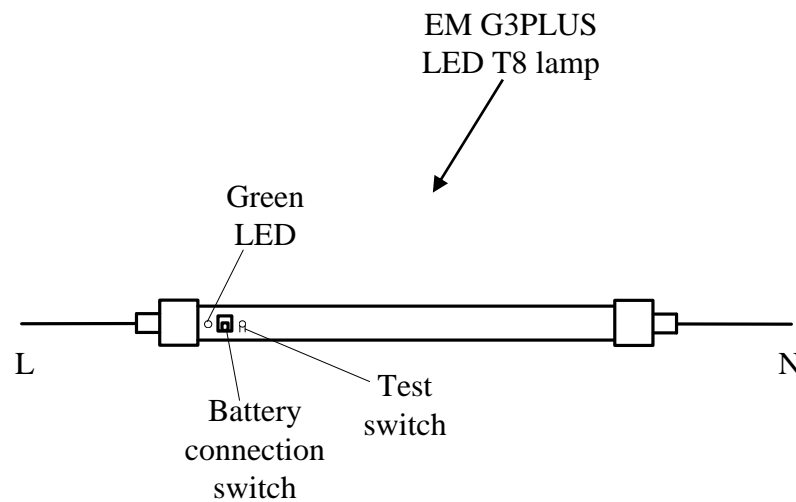


Fig. 1

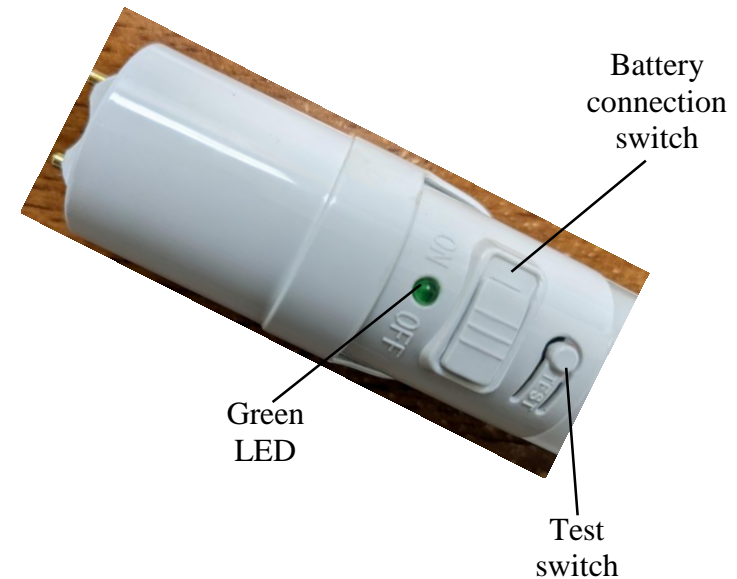


Fig. 2